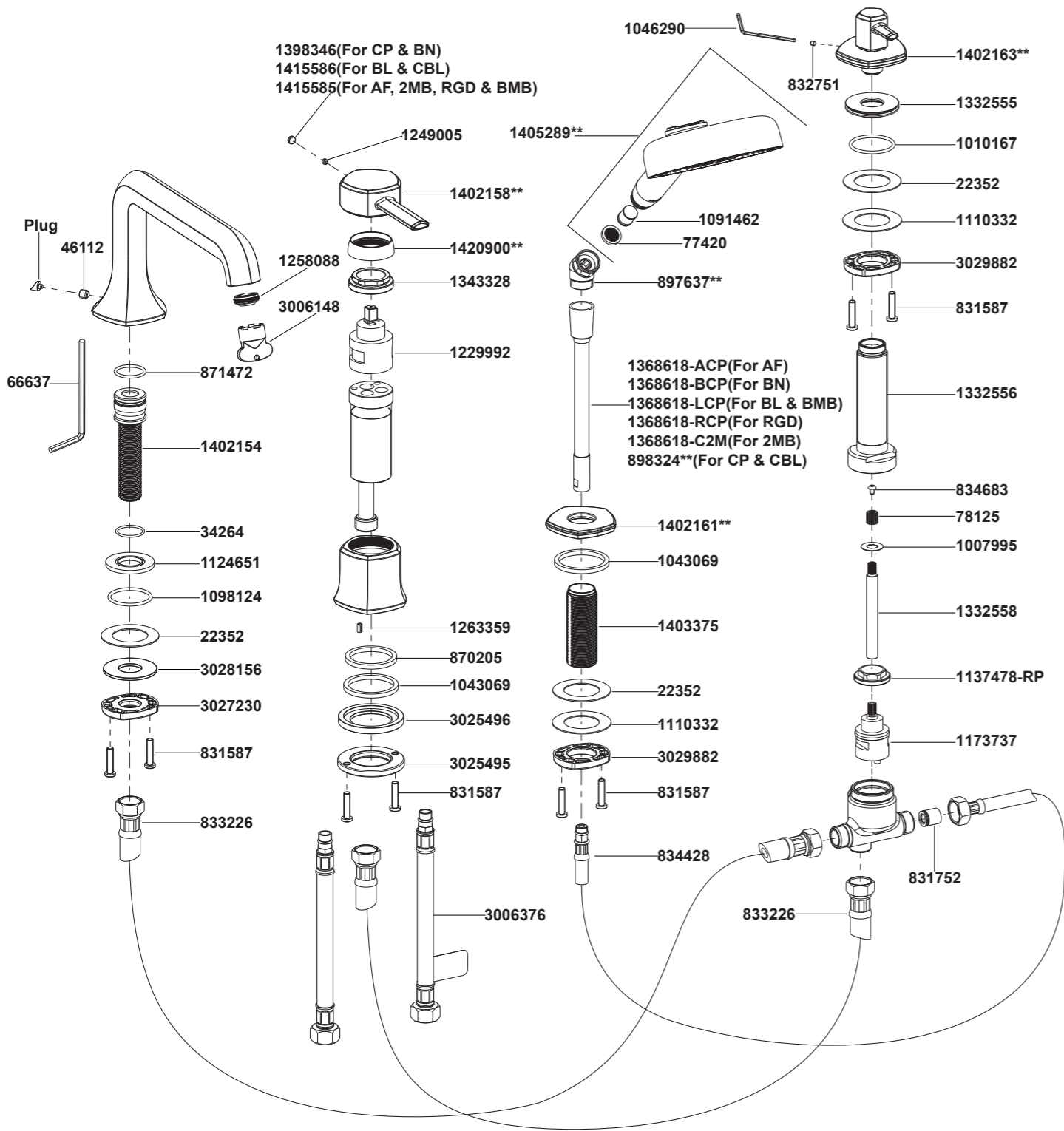


EX27111T-4 4孔缸边式浴缸花洒龙头(直杆型出水嘴, 杆型把手)



**订购时请说明颜色编号
**Color code must be specified when ordering

Plug	1402155	1423195	1423196
Finish	CP, BN, CBL	AF, RGD, 2MB	BL, BMB

EX27110T-4 4孔缸边式浴缸花洒龙头(曲管型出水嘴, 杆型把手) EX27111T-4 4孔缸边式浴缸花洒龙头(直杆型出水嘴, 杆型把手)

安装之前

所有的资料是按最新出版的产品资料编写而成。科勒公司保留任何时候不经通知即可改变产品特性、包装或产品可供类型的权利。

说明书包括重要的安装、保养及清洁方面的内容, 请把这些资料交给用户阅读。

注意事项:

1. 一定要先彻底冲洗供水管以清除管道中的杂质。
2. 尽可能在安装浴缸之前安装水龙头。
3. 检查供水管有无损坏漏水。如需要, 进行替换维修。
4. 遵守当地管路安装条例。
5. 切断供水管路。
6. 花洒最高工作压力: 0.5MPa(5bar)。水压超过0.5MPa(5bar)时必须安装减压阀。花洒最高工作温度及环境温度: 60°C。请特别注意花洒同花洒连接的臂管须远离浴霸, 否则可能损坏花洒及其密封件, 甚至对使用者造成伤害。

BEFORE YOU BEGIN

All information is based on the latest product information available at the time of publication. Kohler Co. reserves the right to make changes in product characteristics, packaging, or availability at any time without notice.

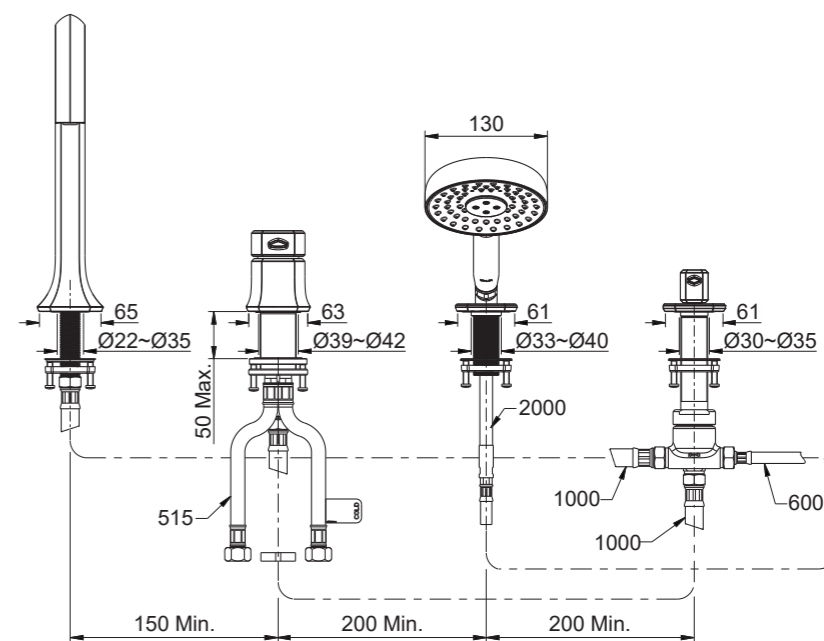
Please leave these instructions for the consumer. They contain important information.

NOTES:

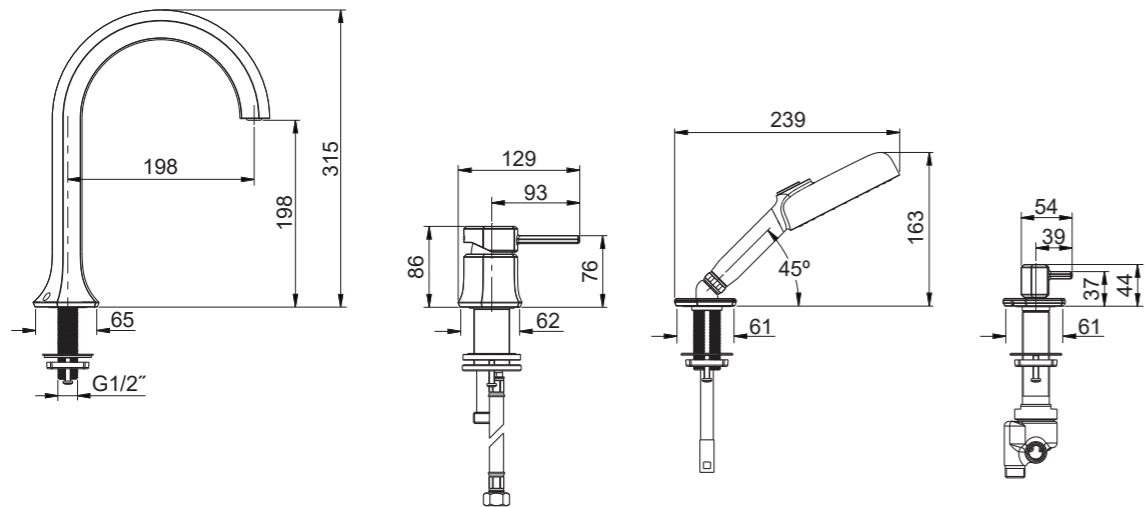
1. Flush the water supply pipes thoroughly to remove debris.
2. If possible, install this faucet before installing bathtub.
3. Inspect the supply tubing for damage and leakage. Replace and maintain as necessary.
4. Observe local plumbing codes.
5. Shut off the water supplies to the fitting.
6. The highest working pressure for handshower is 0.5MPa(5bar). If it exceeds 0.5MPa(5bar), a pressure reducer is needed. The highest water and environment temperature is 60°C. Please keep handshower, showerhead and shower arm away from heater, or it may become damaged and cause injury to the user.

安装尺寸

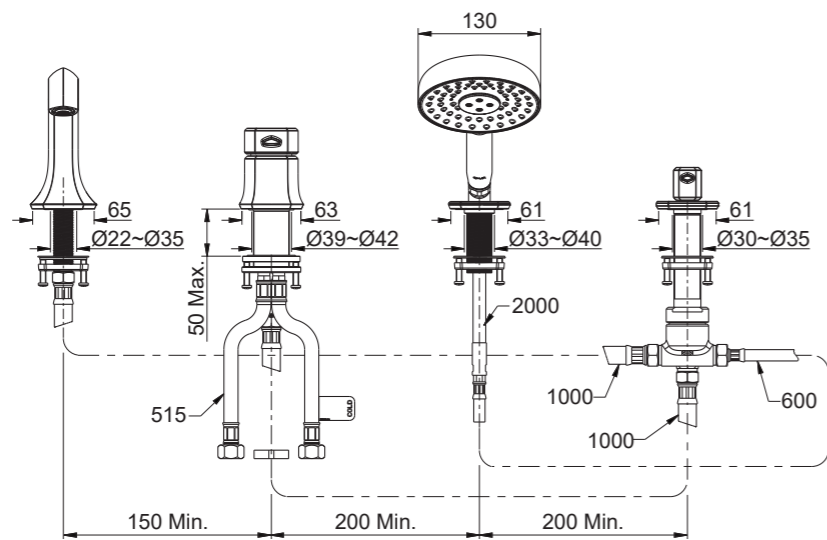
ROUGH-IN DIMENSIONS



EX27110T-4



EX27110T-4



EX27111T-4

KOHLER®

SERVICE PARTS

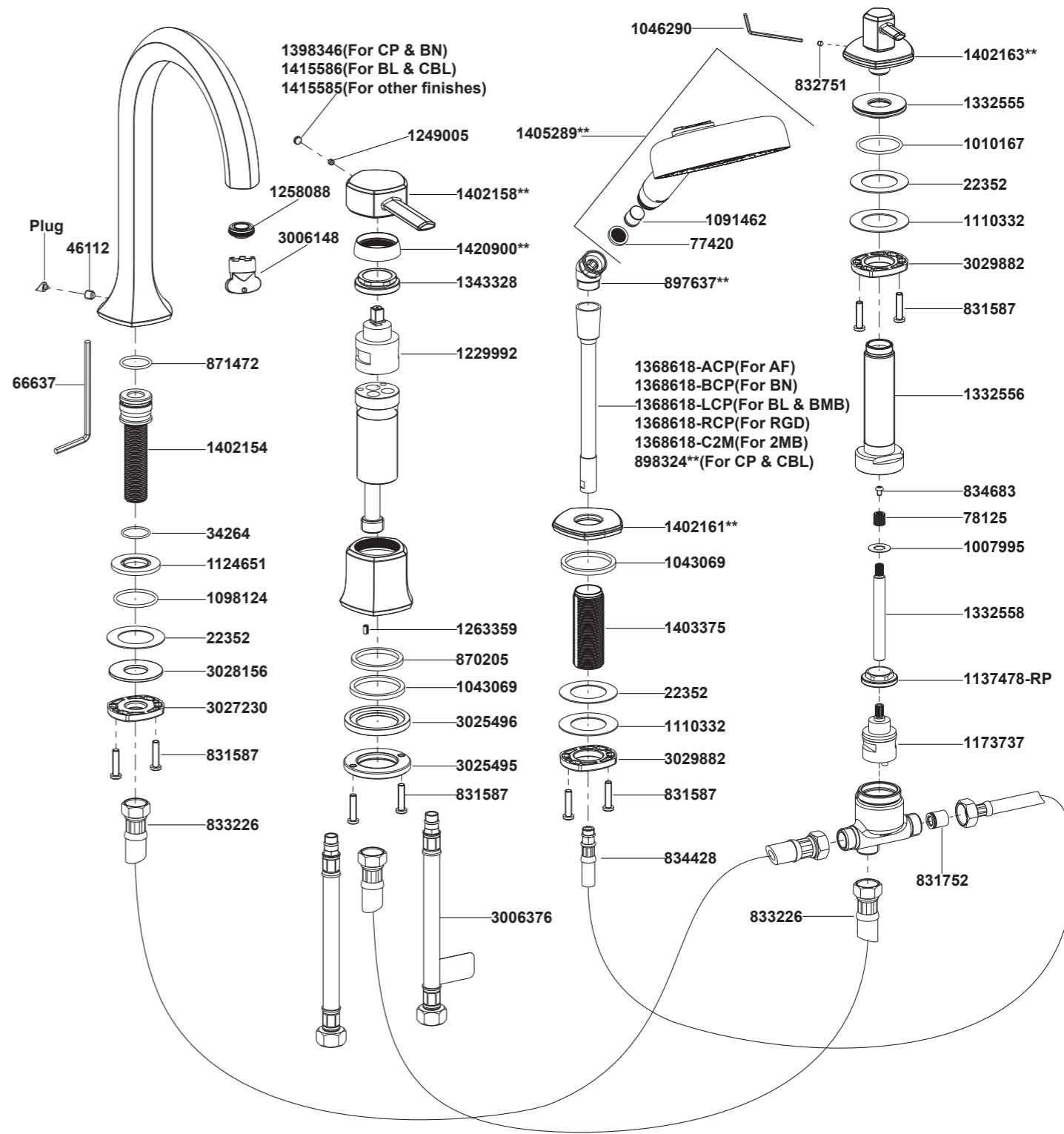
零件图

凯诗

OCCASION

Deck Mount Bath Shower Faucet

EX27110T-4 4孔缸边式浴缸花洒龙头(曲管型出水嘴, 杆型把手)



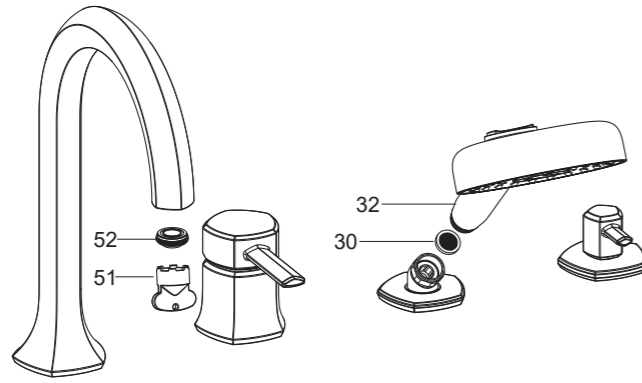
**订购时请说明颜色编号

**Color code must be specified when ordering

Plug	1402155	1423195	1423196
Finish	CP, BN, CBL	AF, RGD, 2MB	BL, BMB

安装结果检查

INSTALLATION CHECKOUT



检查并确保所有衔接螺母都已拧紧，确保把手在关闭位置。

用起泡器工具(51)卸下起泡器(52)，并卸下手持花洒(32)。

打开主供水源，检查渗漏。打开冷热水阀，使水流过出水嘴，去除杂物。切换到手持花洒，去除杂物，清洗垫片(30)，关闭阀。重新装回起泡器及手持花洒。

Ensure that all connections are tight. Ensure that the handle is in the off position.

Uninstall the aerator(52) with key(51). Uninstall the handshower(32).

Turn on the main water supply and check for leaks. Open valve and run water through the spout to remove any debris. Switch to handshower and remove debris from washer(30). Turn off the valve. Reinstall the aerator and handshower.

清洗说明

CLEANING INSTRUCTIONS

适用于所有加工处理过的表面：以中性肥皂水清洗镀层表面，再以干净的软布彻底擦干整个表面，许多清洁剂，比如氨水、去污粉及洁厕灵等，会对电镀表面造成伤害，切忌使用。

有磨损性的清洁用具或清洁剂也不可适用于科勒牌的水龙头及其配件上。

All Finishes: Clean the finish with mild soap and warm water. Wipe entire surface completely dry with clean soft cloth. Many cleaners may contain chemicals, such as ammonia, chlorine, toilet cleaner etc. which could adversely affect the finish and are not recommended for cleaning.

Do not use abrasive cleaners or solvents on Kohler faucets and fittings.

安装步骤

INSTALLATION

如何安装出水嘴

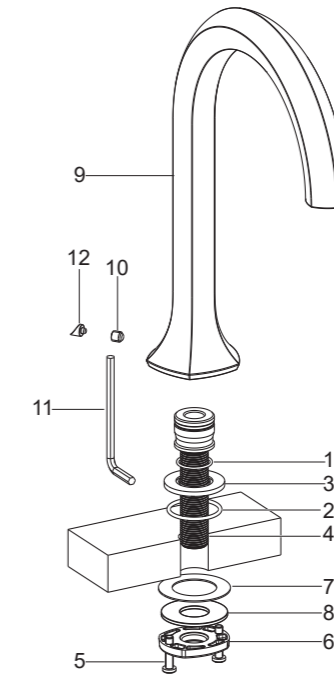
将O型圈(1, 2)分别嵌入垫片(3)顶部和底部凹槽中。

从台面上方将牙管(4)穿过垫片(3)插入安装孔中。

确保螺钉(5)部分旋入安装环(6)。从台面下方依次安装垫片(7)、钢垫(8)和安装环，拧紧螺钉(5)以固定牙管。

将出水嘴(9)方向水平地按在牙管上，直至与台面接触。

调整出水嘴位置，使出水嘴朝向正前方，把螺钉(10)对准出水嘴上的螺钉孔，用六角扳手(11)拧紧螺钉，塞入塞扣(12)。



How to Install the Spout

Put the O-rings(1, 2) into the top and bottom grooves of the washer(3).

From upside, insert the shank(4) through the washer(3) into the mounting hole.

Partially thread the screws(5) into the threaded ring(6). From underside, install the washer(7), steel washer(8) and threaded ring. Secure the shank by tightening the screws(5).

Press the spout(9) onto the shank until it contacts the deck.

Position the spout and keep it frontwards. Align the screw(10) to the screw hole of the spout and then tighten it with hex wrench(11). Insert the plug(12).

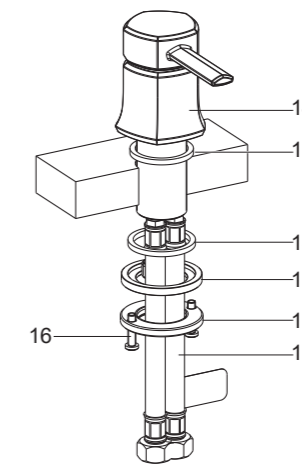
如何安装把手组件

将垫片(13)装在把手组件(14)底部，从浴缸上方将把手组件带软管(15)插入安装孔中。

确保螺钉(16)部分旋入安装环(17)。将垫片(18)放到垫片(19)内。从浴缸下方安装垫片和安装环。

调整把手组件位置，使把手朝向正前方。拧紧螺钉(16)以固定把手组件。

把软管接到水源上，带有“COLD”标志的软管接冷水。



How to Install the Handle Kit

Put the washer(13) into the handle kit(14) bottom. From upside, insert the handle kit with the hoses(15) into the mounting hole.

Partially thread the screws(16) into the threaded ring(17). Put the washer(18) into the washer(19). From underside, install the washers and threaded ring.

Position the handle kit and keep it frontwards. Secure the handle kit by tightening the screws(16).

Attach the hoses to the water supplies. The hose with "COLD" label should be connected to cold water.

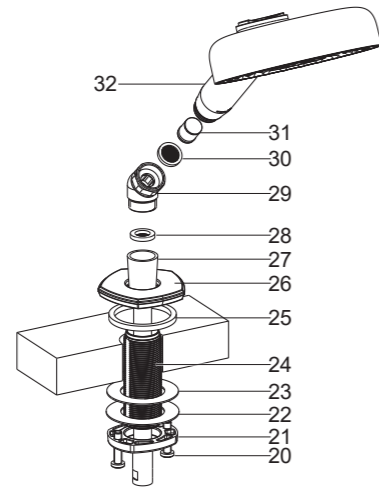
如何安装手持花洒

确保螺钉(20)部分旋入安装环(21)。依次将安装环、钢垫(22)和垫片(23)装到牙管(24)上。将牙管从浴缸下方插入安装孔。

将垫片(25)置于装饰盖(26)底面凹槽内。将装有垫片的装饰盖旋到牙管上，拧紧螺钉(20)。

先将花洒软管(27, 长: 2000mm)随附垫片(28)装入花洒软管, 再将其连接到弯头组件(29), 接着穿过装饰盖和牙管。

将垫片(30)放入弯头组件接头内。根据需要选择是否将单向阀(31)放入手持花洒(32)进水端, 连接弯头组件和手持花洒。



How to Install the Handshower

Partially thread the screws(20) into the threaded ring(21). Install the threaded ring, steel washer(22) and washer(23) on the shank(24). From underside, install the shank into the mounting hole.

Put the washer(25) into the groove of the escutcheon(26). Tighten the escutcheon with washer onto the shank. Tighten the screws(20) firmly.

Put the washer(28) into the shower hose (27, length: 2000mm). Connect the shower hose to the elbow assembly(29) firstly. Then slide the shower hose through the escutcheon and shank.

Put the washer(30) into the elbow assembly. Put the check valve(31) into the handshower(32) if needed. Connect the elbow assembly to the handshower.

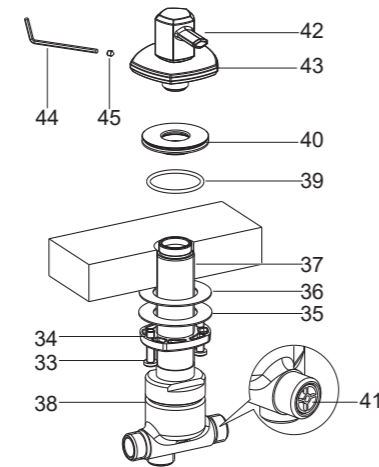
如何安装分水器切换阀体

将螺钉(33)部分旋入安装环(34)。依次将安装环、钢垫(35)和垫片(36)装到连接杆(37)上。将分水器组件(38)从浴缸下方插入安装孔。

将O型圈(39)装到螺母(40)底部凹槽中, 从浴缸上方将装有O型圈的螺母旋到连接杆上。拧紧螺钉(33)以固定分水器组件。

注意: 分水器上装有单向阀(41)的一端连接花洒软管。

将把手组件(42)方向水平地安装在螺母(40)上。调整把手底座(43)至图示方向, 用六角扳手(44)拧紧螺钉(45)以固定把手组件。



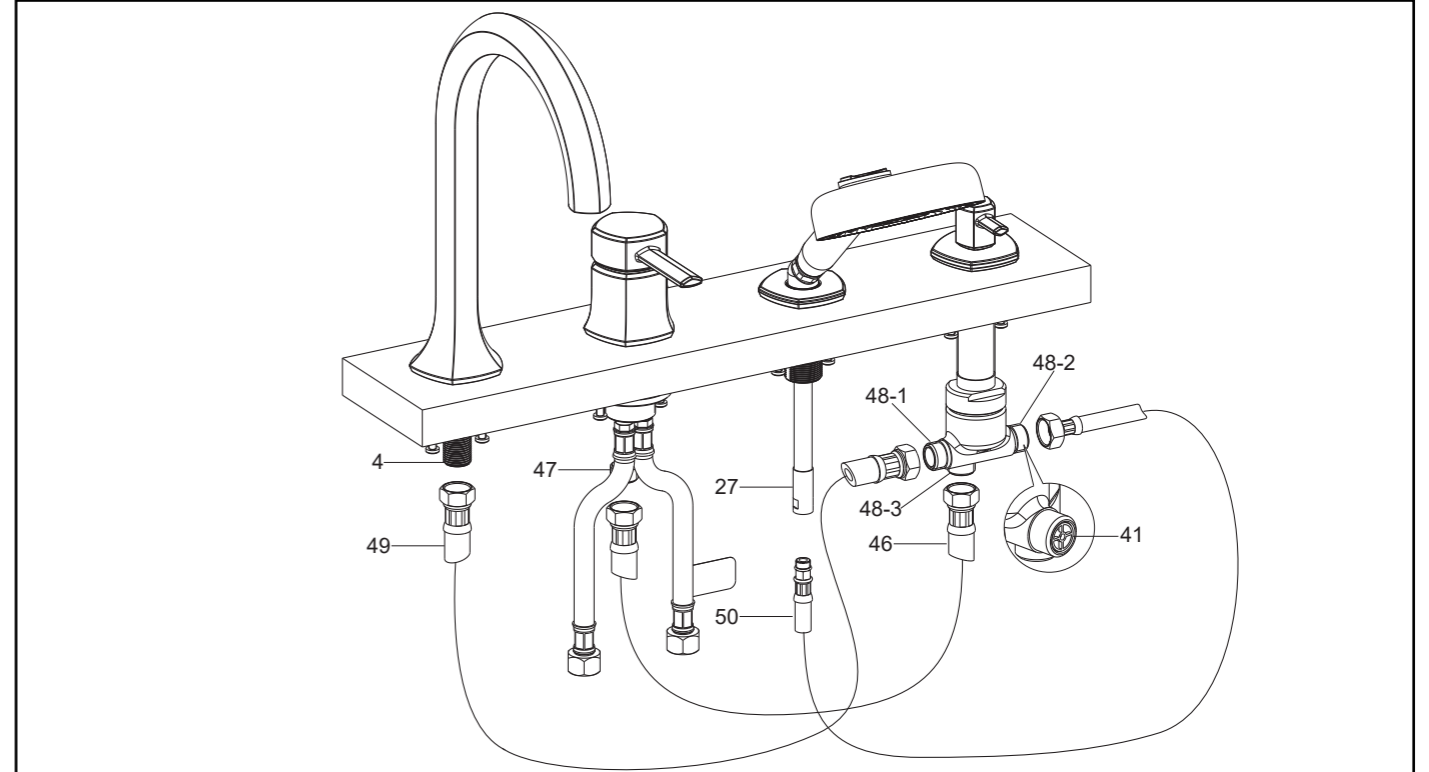
How to Install the Diverter Body

Partially thread the screws(33) into the threaded ring(34). Install the threaded ring, steel washer(35) and washer(36) on the shank(37). From underside, install the diverter assembly(38) into the mounting hole.

Put the O-ring(39) into the groove of the nut(40). From upside, tighten the nut with O-ring onto the shank. Secure the diverter assembly by tightening the screws(33).

NOTE: The end with check valve(41) in diverter is connected to shower hose.

Press the handle kit(42) onto the nut(40). Position the handle base(43) as shown. Secure the handle kit by tightening the screw(45) with hex wrench(44).



如何连接软管

将软管(46, 长: 1000mm)一端与接头(47)连接, 另一端与分水器底部接口(48-3)连接。

将软管(49, 长: 1000mm)一端与牙管(4)连接, 另一端与分水器出水口(48-1)连接。

将软管(50, 长: 600mm)一端与花洒软管(27, 长: 2000mm)连接, 另一端与分水器花洒接口(48-2, 带单向阀(41)一端)连接。

How to Connect the Hoses

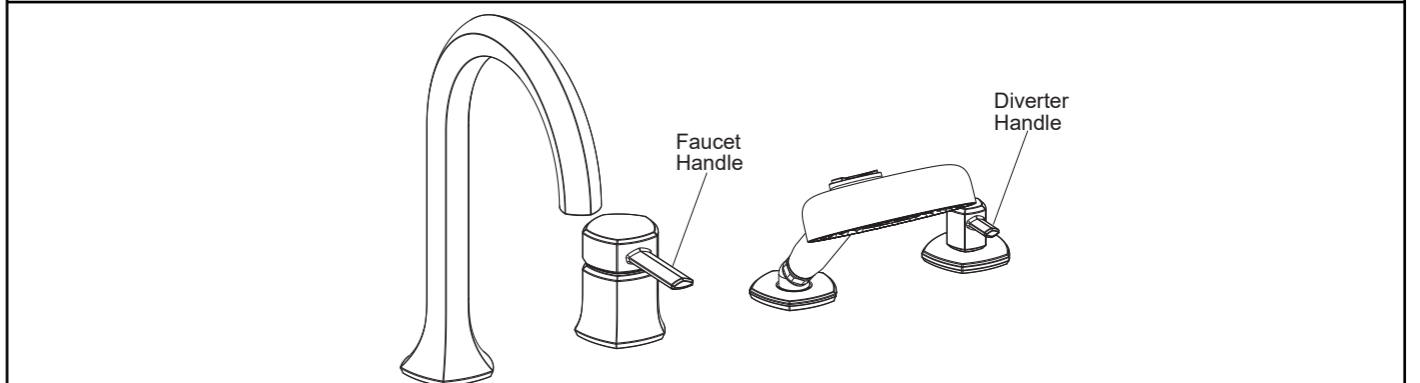
Connect one end of the hose(46, length: 1000mm) to the connector(47). Connect the other end to the bottom port(48-3) of the diverter.

Connect one end of the hose(49, length: 1000mm) to the shank(4). Connect the other end to the diverter outlet(48-1).

Connect one end of the hose(50, length: 600mm) to the shower hose(27, length: 2000mm). Connect the other end to the shower end(48-2, the end with check valve(41)) of the diverter.

使用说明

OPERATION INSTRUCTIONS



将龙头把手轻轻提起, 顺时针旋转为热水, 逆时针旋转为冷水。

顺时针旋转切换把手浴缸出水嘴出水, 逆时针旋转切换把手手持花洒出水, 切换把手位于中间位置, 浴缸出水嘴及花洒同时出水。

Lift the faucet handle gently. Turn clockwise for hot water, counter-clockwise for cold water.

Turn the diverter handle clockwise for bath spout, counter-clockwise for handshower, middle position for both.